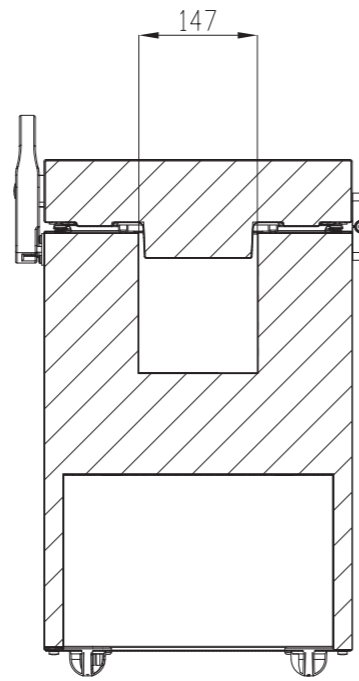
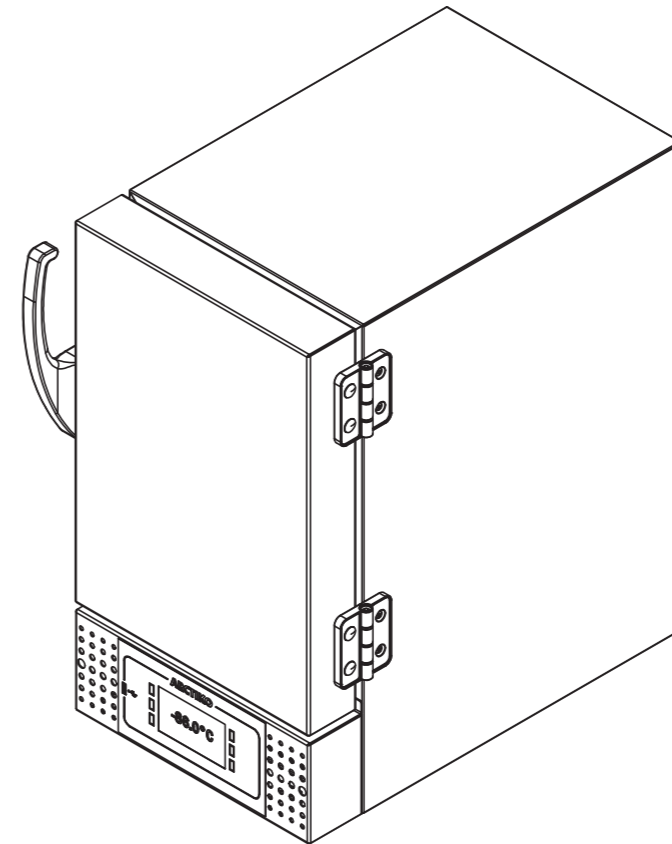


SECTION A-A  
SCALE 1 : 1



SECTION B-B  
SCALE 1 : 1



Description: Dimension drawing ULUF P10



Drawing no.: 5088168

Revision: 01

Drawing (initials): TTS

Date: 190616

Approval (initials): EAH

Date: 190617

All rights to this drawing belong to Arctiko A/S. The drawing may not be copied nor presented to any other person without prior written consent of Arctiko A/S.